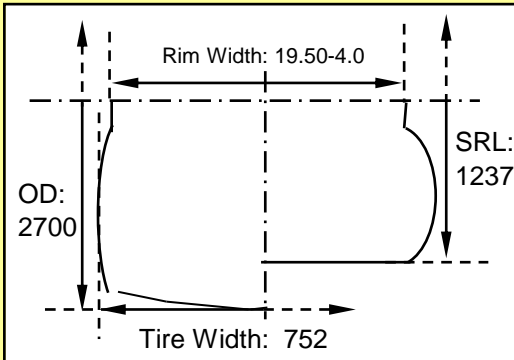


company confidential



Technical Data :

27.00R49
RL - 4H



GENERIC DRAWING, ASK GOODYEAR FOR CAD FORMATS

Tire Size- Goodyear	27.00R49
Loaded Index / Speed Symbol	TL ** 4H
Tread Pattern	RL - 4H
Industrial Code	E- 4
Rims	19.50-4.0
Tire Section Width (mm)	752
Tire Outer Diameter (mm)	2700
Loaded Static Radius (mm)	1237
Rolling Circumference (mm)	8137.8
Tread Depth (mm)	64
Gross contact area (cm2)	4543
Tire Volume (l)	2004.4

Load Capacity per Tire (kg) in Off the Road Haulage Service							
Inflation Pressure (bar)							Speed km/h (mph)
5.50	5.75	6.00	6.25	6.50	6.75	7.00	
19,712	20,240	20,768	22,000	22,660	23,320	23,980	65
21,952	22,540	23,128	24,500	25,235	25,970	26,705	55
22,400	23,000	23,600	25,000	25,750	26,500	27,250	50 (30)
23,072	23,690	24,308	25,750	26,523	27,295	28,068	40
23,744	24,380	25,016	26,500	27,295	28,090	28,885	30
24,640	25,300	25,960	27,500	28,325	29,150	29,975	20
25,088	25,760	26,432	28,000	28,840	29,680	30,520	15